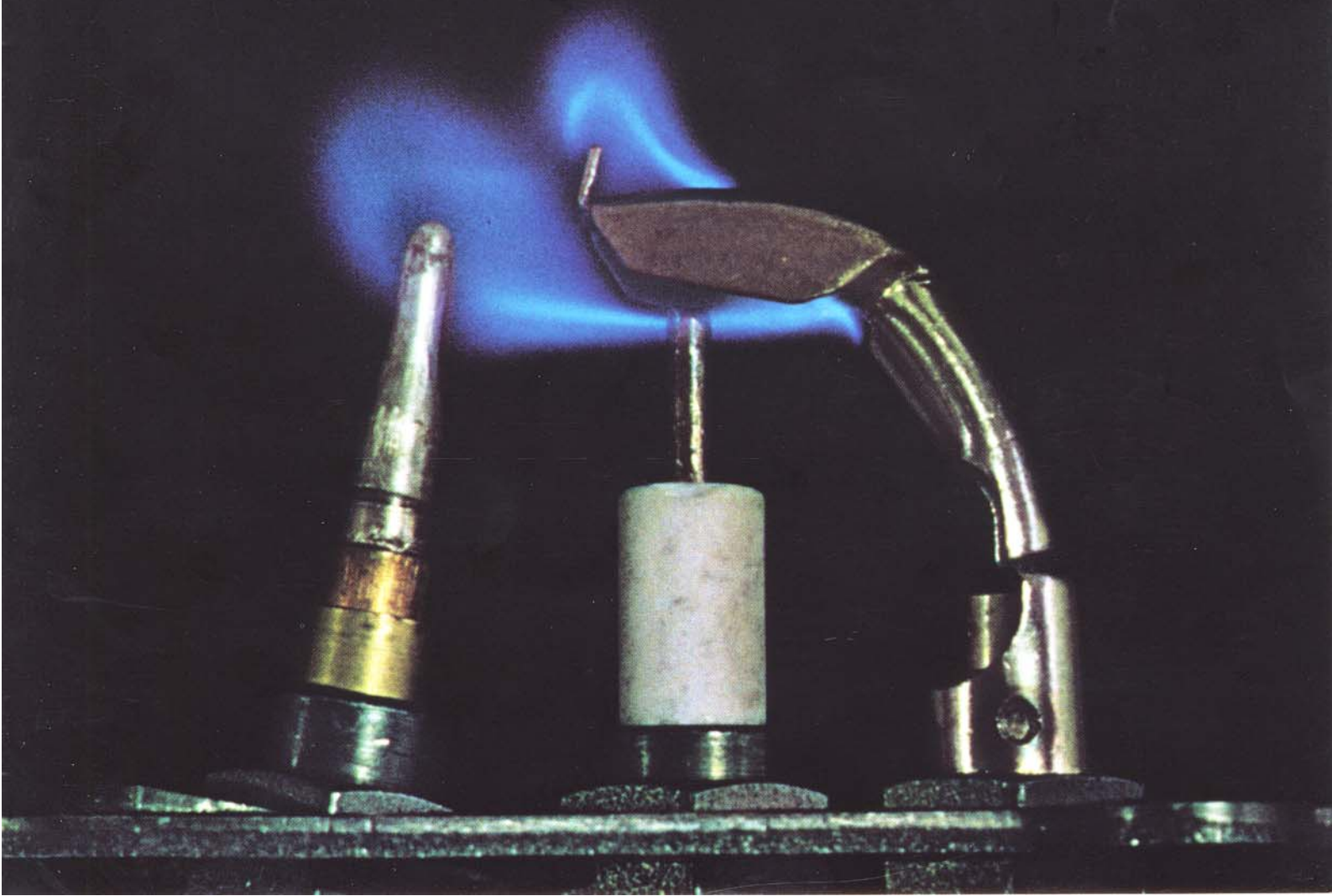
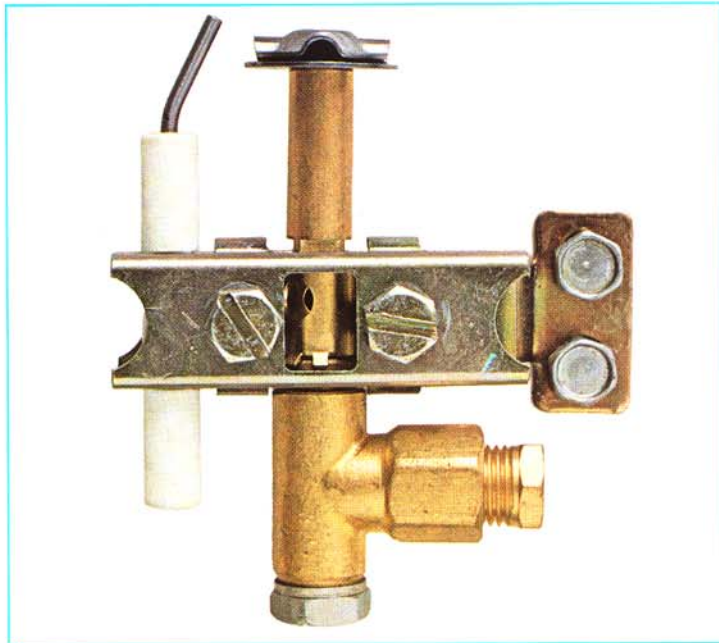


Pilot Burners

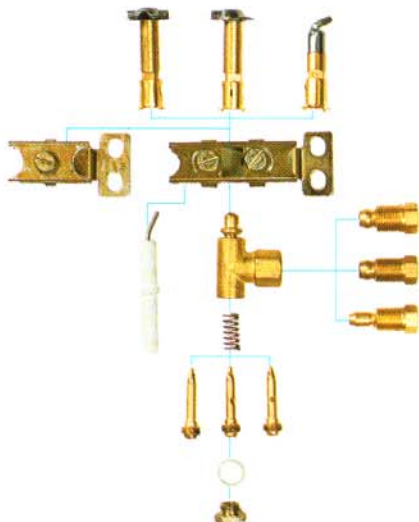


pilot burners with primary air

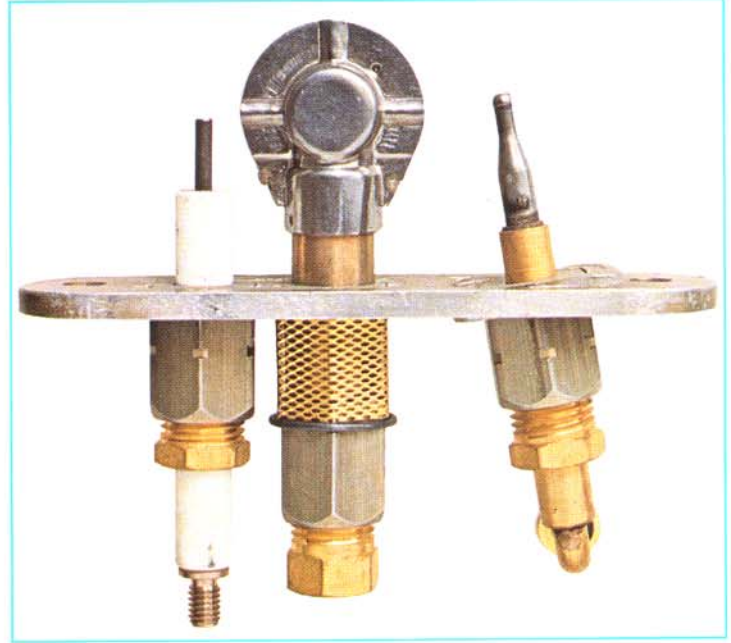
M.A.B. Series (Multigas-adjustable-burner)



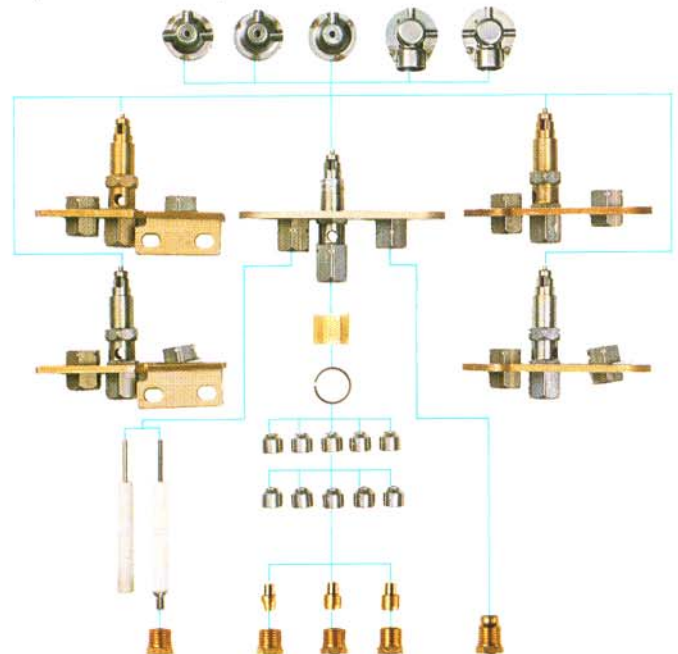
- The pilot-burners of this series have both adjustable injector and primary air.
- They can be used, after adjustment, with any kind of gas.
- They can be supplied in various versions:
 - 1-2-3 flame hoods with different orientations
 - with or without igniter plug
 - 4 mm, 6 mm, and 1/4" connections.
- Due to their versatility and simplicity of maintenance, they are suited for universal use and combine characteristics of economy with performances.
- The energy consumption is approximately 210 W (\approx 180 Kcal/h).



M.G.B. Series (Mono-gas-burner)



- The pilot-burners of this series have a fixed injector that guarantees an elevated and constant efficiency.
- They can be used with all kinds of gas by substituting the injector.
- They can be supplied in various versions:
 - 7 different types of brackets
 - internal or external air-intake to the combustion chamber
 - 1-2-3 flame hoods on a vertical or horizontal plane
 - vertical or inclined thermocouple for an optimum application to the combustion chamber
 - 4 mm, 6 mm and 1/4" connections
 - primary air net-filter
- Their use, already widely-diffused, is preferable for those operations in which characteristics of high efficiency, stability and endurance are required.
- The energy consumption is approximately 230 W (\approx 200 Kcal/h).



pilot burners without primary air

M.T.B. Series (Monogas-target-burner)

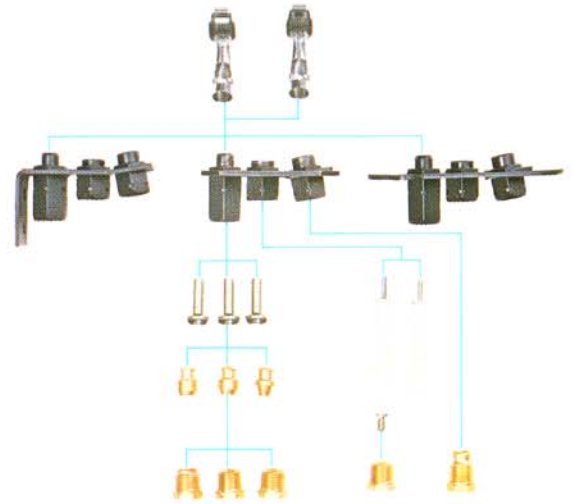
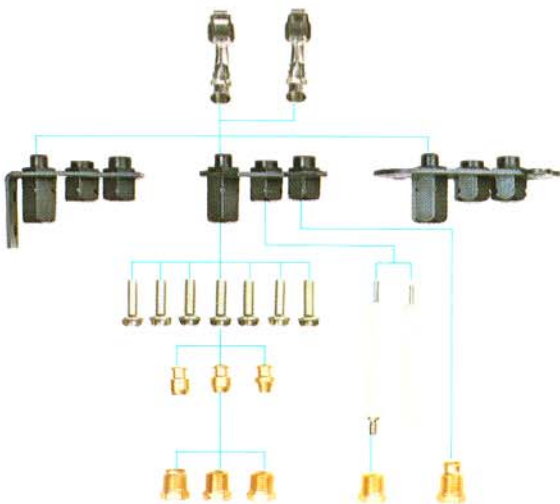


- For appliances without pre-aeration of the pilot-burner. Eliminates the primary air-intake and any possibility of obstruction due to dust present in the surrounding air. -
- They can be used with all kinds of gas by substituting the injector
- They can be supplied in various versions:
 - 8 different types of brackets
 - 1 or 2 flame hoods
 - 2 different height levels of the beam flame
 - gasket seal
 - 4 mm, 6 mm and 1/4" connections.
- This series of pilot-burners, due to its simplicity, adapts itself to the most difficult working conditions.
- The energy consumption is approximately 210 W (≈ 180 Kcal/h).

H.P.B. Series (High-performance-burner)



- Derived from the target, it satisfies the demands of energy conservation.
- They can be used with any type of gas by substituting the injector.
- They can be supplied in various versions:
 - 7 different types of brackets
 - 1 or 2 flame hoods
 - 2 different height levels of the beam flame
 - gasket seal
 - 4 mm, 6 mm and 1/4" connections.
- The low-energy pilot-burners are the ones most indicated for use in all those situations where limited consumption is required.
- The energy consumption is approximately 115 W (≈ 100 Kcal/h).



ALL SIT PILOT-BURNERS:

- are extremely silent.
- are highly- resistant to corrosion.
- allow a rapid substitution of the thermocouple.
- use highly-insulated igniter-plugs of aluminium oxide, resistant to impact and to abrupt thermal change.
- pass with wide margin the turn-down test.

For correct operation of SIT pilot-burners, the exclusive use of SIT thermocouples is strongly recommended.

SIT si riserva di modificare il contenuto del presente catalogo senza preavviso.
SIT can modify the content of this catalogue without notice.
SIT se réserve le droit de modifier le contenu de ce dépliant sans aucun préavis.
SIT kann den Inhalt dieser Brochüre ohne Voranzeige ändern.

Distribuito da
Distributed by
Commercialisé par
Verteilt von



SIT la precisa srl

Viale dell'Industria, 31-33 - 35129 Padova, ITALY
Tel. (049) 8293.111 - Tlx 430130 SITEC I - Fax (049) 807.0093